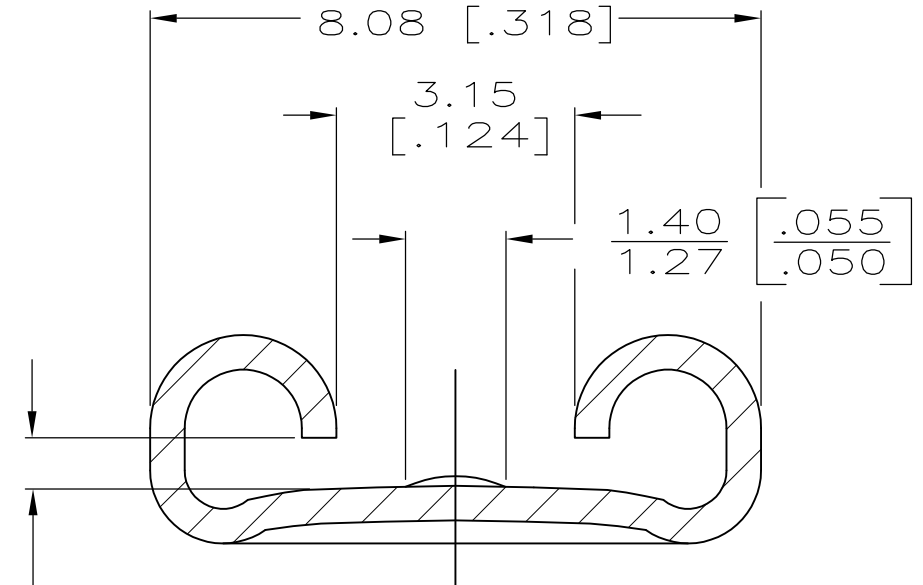
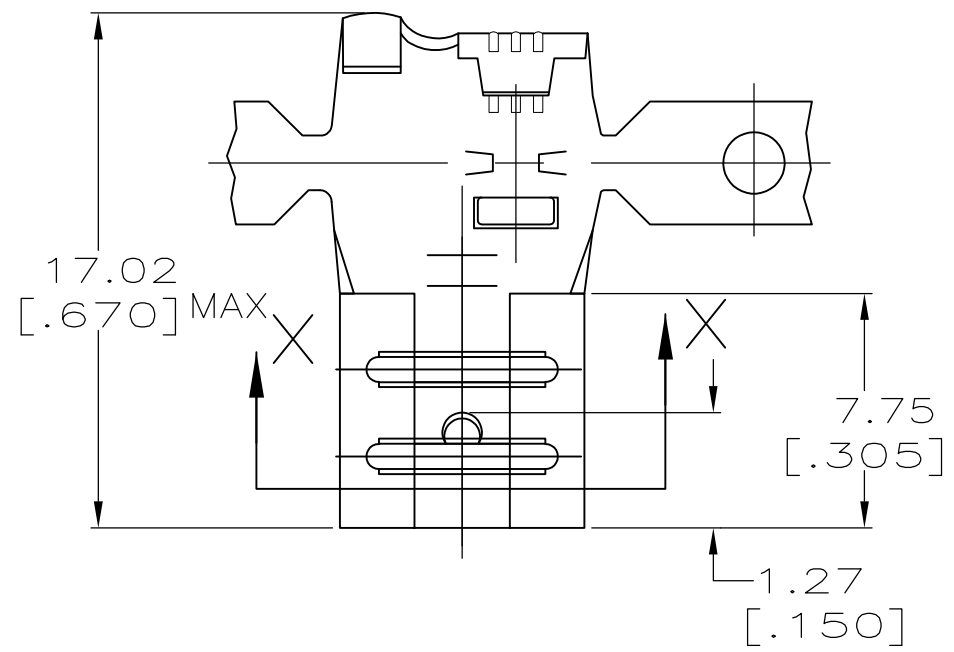


THIS DRAWING IS UNPUBLISHED. RELEASED FOR PUBLICATION
 © COPYRIGHT - By - ALL RIGHTS RESERVED.

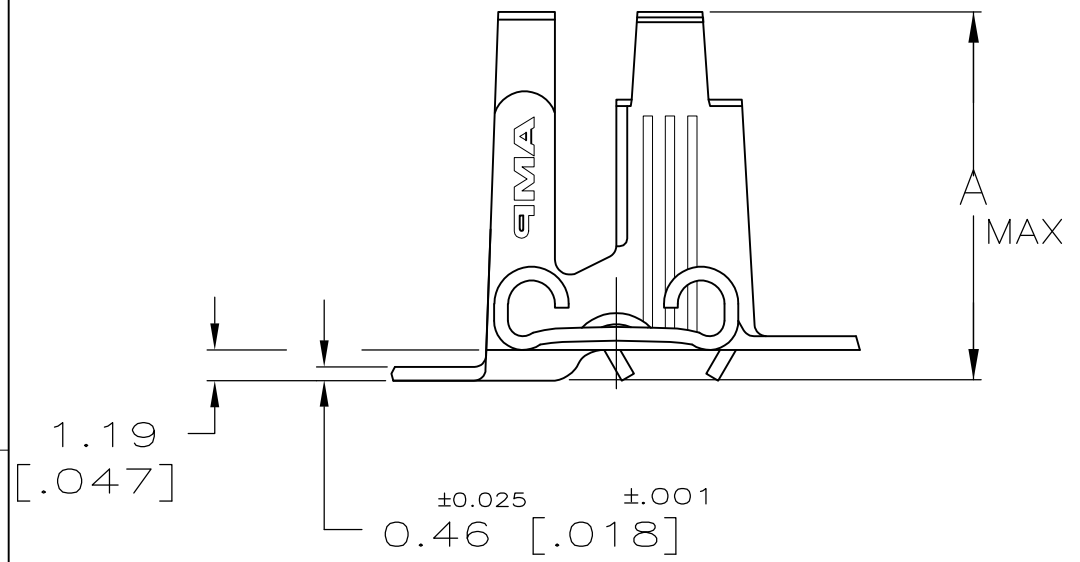
LOC	DIST	REVISIONS					
AF	50	P	LTR	DESCRIPTION	DATE	DWN	APVD
			AD	REVISED PER ECR-11-018063	21DEC11	KH	PD



FITS 6.35 [.250] SERIES FASTON TABS

SECTION X-X
SCALE 10:1

- 1 CONTINUOUS STRIP ON REELS.
- 2 FOREIGN PRODUCTION ONLY
- 3 SILVER PL 0.00381 [.000150] MIN
- 5 NICKEL PL 0.00381 [.000150] MIN



12.19 [.480]		3.0-5.0mm ² [12-10] AWG 6000-10600 CMA		NICKEL 5	T2 STEEL	42563-9
				TIN	T3 PHOS BRZ	42563-8
				SILVER 3	T3 PHOS BRZ	42563-6
				SILVER 3	T3 PHOS BRZ	42563-7
				TIN	T3 PHOS BRZ	42563-5
				-	T3 PHOS BRZ	42563-4
				SILVER 3	#4H BRASS	42563-3
				TIN	#4H BRASS	42563-2
				-	#4H BRASS	42563-1
DIM A	INSULATION RANGE	WIRE RANGE	MATING TAB THK ±0.025 [.001]	FINISH	MATERIAL	PART NO

THIS DRAWING IS A CONTROLLED DOCUMENT.

DIMENSIONS: INCHES	TOLERANCES UNLESS OTHERWISE SPECIFIED:	DWN JR RUTH 2/14/91	TE Connectivity
	0 PLC ± -	CHK P FORTNEY 2/14/91	
	1 PLC ± -	APVD C MEYERS 2/14/91	
	2 PLC ± 0.38 [.015]	PRODUCT SPEC 2/14/91	
	3 PLC ± -	APVD D REINER	NAME
	4 PLC ± -	APPLICATION SPEC	0.813 [.032]
	ANGLES ± -		RECEPTACLE, FASTON, FLAG, 6.35 [.250] SERIES
MATERIAL SEE TABLE	FINISH SEE TABLE	WEIGHT -	SIZE A3
			CAGE CODE 00779
			DRAWING NO C-42563
			RESTRICTED TO -
			SCALE 4:1
			SHEET 1 OF 1
			REV AD

CUSTOMER DRAWING